



# Electric Winch

## Model: CWG-30375

PN: w/2.2kw x 6P motor	PN: w/3.8kw x 4P motor
150601 380V50Hz	152677 380V50Hz
	152546 415V50Hz
	153258 380V50Hz
	153740 380V50Hz

### Introduction

#### ► Feature

- Lifting capacity: 900 kg at 50Hz wire rope top layer
- Lifting height: 58 m
- Lifting speed: 4P: 13-20.6 m/min at 50Hz ; 6P: 8.5-13.5 m/min at 50Hz
- Brake: Electromagnetic spring-applied failsafe brake
- Control: Pendant switch powers the winch

#### ► Unpacking

- Winch assembly 1pc
- Wire rope 10 mm x 60 m w/safety hook **except for PN:153740** 1pc
- Wire rope 9 mm x 100 m w/safety hook for PN:153258 1pc
- Low voltage control ass'y LV-320 1pc
- Pendant switch CPB-161 w/cord 1.25 mm<sup>2</sup> x 3C x 3 m 1pc

#### ► Read this manual carefully

You should carefully read and understand this manual before operating it. Careless winch operation may result in personal injury hazards or property damage.

#### ► Information requesting or parts ordering

Please specify the followings information:

- Winch PN
- Serial number
- Part description
- Replacement part number
- Quantity for each part

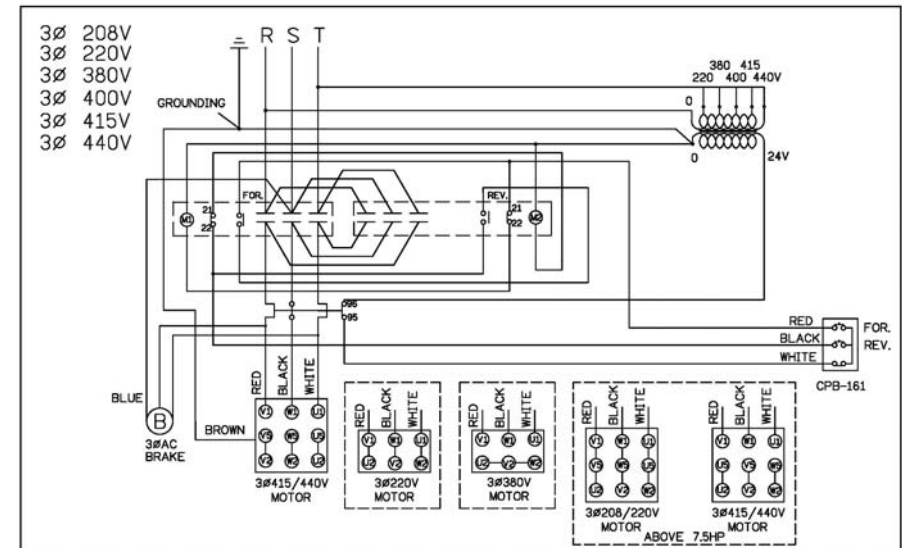
### Installation

Before using the winch, make sure all electrical components have no corrosion or damaged; the environment should be clear and dry.

#### ► Performance

Winch Model		CWG-30375													
Motor	kw x p	3.8 x 4					2.2 x 6								
Recommend Wire Rope	Size(mm)	10.0													
	Breaking (kg)	4,640													
1 <sup>st</sup> Layer	Rated Load (kg)	50Hz	1,426				Rated Load (kg)	50Hz	1,244			Rated Load (kg)	50Hz	1,103	
	Speed (m/min)	50Hz	4P 13	6P 8.5			Speed (m/min)	50Hz	4P 14.9	6P 9.8		Speed (m/min)	50Hz	4P 16.8	6P 11
	Rope-Winding Cumulating Sum(m)		10				Rope-Winding Cumulating Sum(m)		20				Rope-Winding Cumulating Sum(m)	33	
4 <sup>th</sup> Layer	Rated Load (kg)	50Hz	991				Rated Load (kg)	50Hz	900						
	Speed (m/min)	50Hz	4P 18.7	6P 12.2			Speed (m/min)	50Hz	4P 20.6	6P 13.5					
	Rope-Winding Cumulating Sum(m)		46				Rope-Winding Cumulating Sum(m)		60						

#### ► Wiring Diagram



### Warning

- The winch is not intended to be used in any manner for the movement or lifting of personnel.
- The lifting capacity shown is based on the top layer of rope on the drum.
- The rope winding on the drum shall remain 5 wraps from the drum.

## Parts List

Item No.	Description	Part No.	Qty
1	Motor kit	As arranged	1
2	Motor support rack kit	880739	1
3	Drum kit	880740	1
4	Connect shaft kit	880741	1
5	Tie bar kit	880742	4
6	Gearbox support rack kit	880743	1
7	2 <sup>nd</sup> stage carrier kit	881579	1
8	Ring gear kit	880746	1
9	1 <sup>st</sup> stage carrier kit	881580	1
10	1 <sup>st</sup> shaft kit	880749	1
11	Brake base kit	880750	1
12	Brake kit	As arranged	1
12-1	Brake disc	880751	1
12-2	Brake coil	As arranged	1
13	Brake rear cover kit	880752	1
14	Wire rope w/hook 10mm x 60 m	880753	1
	Wire rope w/hook 9mm x 100 m	882281	
15	Low voltage control ass'y LV-320	As arranged	1
15-1	Remote control,CPB-161	881047	1
16	Base plate kit	880755	1

### Part No. configurations:

Cycle	Voltage	Kw x p	Motor
50 Hz	220 / 380 V	2.2 x 6	880762
50 Hz	220 / 380 V	3.8 x 4	880758
50 Hz	415 V	3.8 x 4	880759

Voltage	Brake kit	Brake coil	LV-320
380 V	881340	880769	881819
415 V	881342	880770	881824

### Standard Value for brake coil (50Hz):

Voltage	220V	380V	415V	440V
Black & Blue wires	25Ω	96Ω	106Ω	115Ω
Black & Red wires	11Ω	42Ω	47Ω	51Ω
Red & Blue wires	14Ω	54Ω	60Ω	65Ω

## Winch Assembly

